



Concentric Technology Solutions Inc

™ Testing Solutions for the Wireless Industry

TC-5922AE Magnetic Shield Box



Features

- High RF shielding
- Easy Opening/Closing of lid
- EMI filter on all Data and DC lines
- Easily customizable to meet various test needs
- Shock Absorber on lid
- High performance absorber for radiation testing

*SPECIFICATIONS SUBJECT TO CHANGE WITHOUT PRIOR NOTICE

Concentric Technology Solutions, Inc.

TEL: 817-503-8862 FAX: 817-503-8866 Email: CTS-Sales@ctscorp-usa.com www.rfshieldbox.com www.ctscorp-usa.com



Specifications

Mechanical Specifications

RF Connectors without module	two(2) N (f) outside and SMA (f) inside
Line voltage	DC 24 V, Max 2 A
Dimension	
Inside	296(W) x 435(D) x 233(H) mm
Outside	381(W) x 589(D) x 290(H) mm, lid closed. 680(H) mm, lid open.
Weight	approx. 23 kg
*Packing	
Size	620(W) x 800(D) x 530(H) mm
Weight	approx. 26 kg

* The size or weight of a package may vary on how to pack a package.

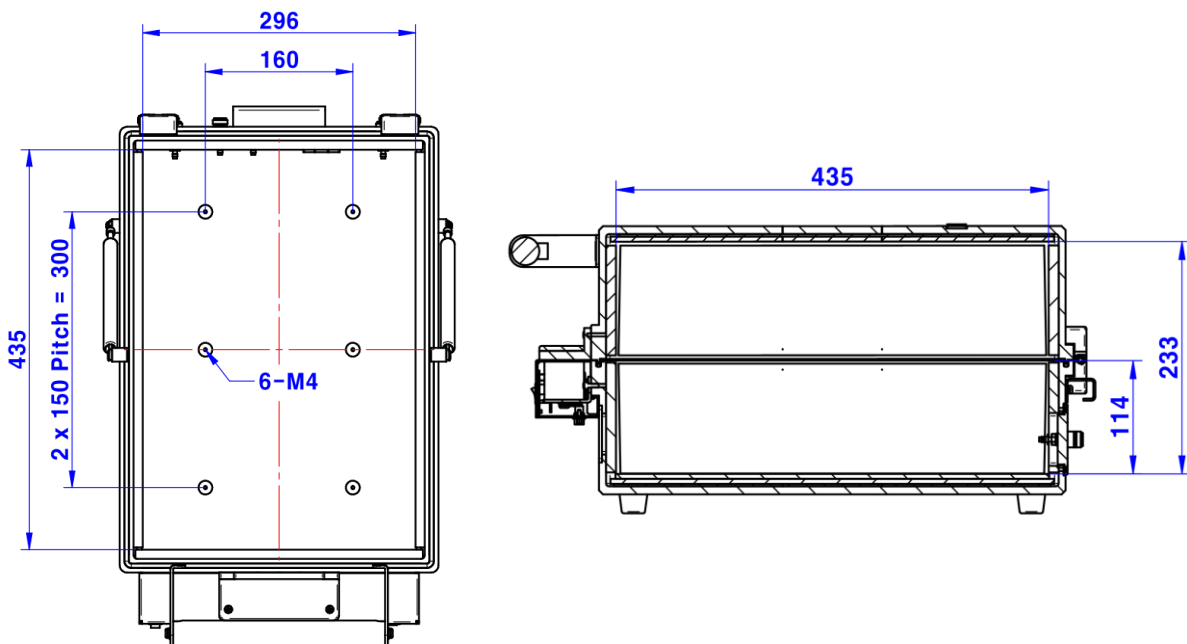
Typical RF Shielding

The shield effectiveness below is measured when the blank panel is mounted; other I/O interface panel results a different shielding effectiveness of the shield box.

Frequency	Shielding effectiveness (dB)
100 to 2000 MHz	> 70 dB
2000 to 3000 MHz	> 70 dB
3000 to 6000 MHz	> 60 dB

Dimensions

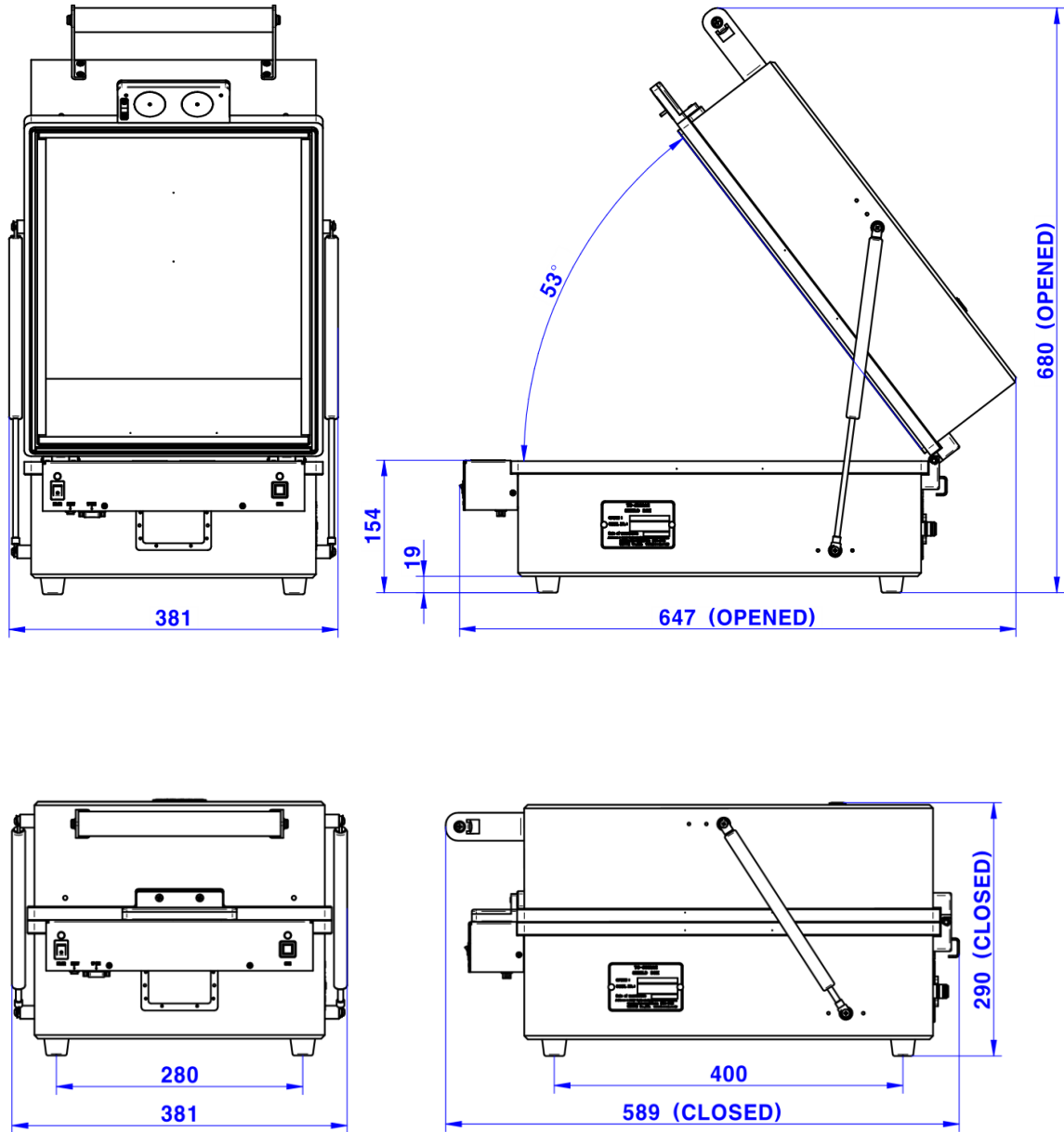
- TC-5922AE Inner Dimension (WxDxH) : 296(W) x 435(D) x 233(H) mm



*SPECIFICATIONS SUBJECT TO CHANGE WITHOUT PRIOR NOTICE



- TC-5922AE Outer Dimension (WxDxH) : 381(W) x 589(D) x 290(H) mm, lid closed.
680(H) mm, lid open.



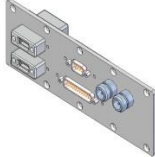
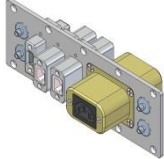

*SPECIFICATIONS SUBJECT TO CHANGE WITHOUT PRIOR NOTICE



Ordering Information



Order Number	Description
TC-5922AE	Shield Box (including accessories below)
	Test Report
	RF Cable (4011-0001), SS-402, N(m) to N(m) 1 m, 1 pc
	DB9(p) to DB9(s) 2 m, 1 pc
	Switching Power Supply, 1 pc
	Locking Holder, 1 pc

Pre-Configured I/O Interface Panel

I/O Interface Panel	Order Number	Configuration
 Data Interface Panel	M591689A	<ul style="list-style-type: none"> two(2) N(f) outside and SMA(f) inside one(1) DB25(p) outside and DB25(s) inside, 100 pF Pi filter one(1) DB9(p) outside and DB9(s) inside, 100 pF Pi filter two(2) USB 2.0 outside and inside
 Data Interface Panel	M5916103A	<ul style="list-style-type: none"> four(4) SMA(f) outside and SMA(f) inside one(1) USB 2.0 outside and inside two(2) RJ-45 outside and inside one(1) AC power Adapter
 Data Interface Panel	M5916114A	<ul style="list-style-type: none"> six(6) SMA(f) outside and SMA(f) inside one(1) DB37(p) outside and DB37(s) inside, 1000 pF Pi filter two(2) USB 3.0 outside and inside

Custom I/O Interface Panel


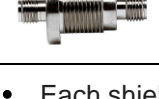
- Customized I/O Interface Panel is available by selecting below I/O interfaces and combine. Please contact Tescom sales team or your local distributor.

I/O Interface	Description / Order Number	Typical Data Rate / Line Voltage	*Typical Shielding
	DB25, 1000pF pi Filter / 3409-0009-1	3 Mbps / 100 VDC, 5 Amps max	>70 dB from 0.5 to 2 GHz >80 dB from 2 to 3 GHz >70 dB from 3 to 6 GHz
	DB25, 100pF pi Filter / 3409-0014-1	10 Mbps / 100 VDC, 5 Amps max	>50 dB from 0.5 to 2 GHz >60 dB from 2 to 3 GHz >60 dB from 3 to 6 GHz



	DB9, 1000pF pi Filter / 3409-0008-1	3 Mbps / 100 VDC, 5 Amps max	>70 dB from 0.5 to 2 GHz >80 dB from 2 to 3 GHz >70 dB from 3 to 6 GHz
	DB9, 100pF pi Filter / 3409-0010-1	10 Mbps / 100 VDC, 5 Amps max	>50 dB from 0.5 to 2 GHz >60 dB from 2 to 3 GHz >60 dB from 3 to 6 GHz
	USB 2.0 Filter / 3409-0018A-3	480 Mbps / 5 V, 500 mA / Max Current: 5 A	>60 dB from 0.5 to 2 GHz >70 dB from 2 to 3 GHz >70 dB from 3 to 6 GHz
	USB 3.0 Filter(Active) / 3409-0042A-1	5000 Mbps/ 5 V, 900 mA / Max Current: 1.5 A	>70 dB from 0.5 to 2 GHz >70 dB from 2 to 3 GHz >55 dB from 3 to 6 GHz
	RJ-45 Filter / 3409-0022A	1 Gbit/s Copper-Line Ethernet (1000 BASE-T)	>60 dB from 0.5 to 2 GHz >70 dB from 2 to 3 GHz >70 dB from 3 to 6 GHz
	DC Power Adaptor / 3406-0004A	50 VDC, 3 Amps max	>70 dB from 0.5 to 2 GHz >80 dB from 2 to 3 GHz >80 dB from 3 to 6 GHz
	DC Power Adaptor (Banana Jack Type) / 3406-0005A, 3406-0006A	50 VDC, 10 Amps max	>70 dB from 0.5 to 2 GHz >80 dB from 2 to 3 GHz >80 dB from 3 to 6 GHz
	AC Power Adaptor / 3103-0009A	250 VAC, 7 Amps max	>70 dB from 0.5 to 2 GHz >80 dB from 2 to 3 GHz >80 dB from 3 to 6 GHz

I/O Interface	Description / Order Number	Frequency Range / Impedance / V.S.W.R
---------------	----------------------------	---------------------------------------

	RF, N-SMA Connector / 3408-0038	From DC to 11 GHz / 50 Ω / 1.15 max
	RF, SMA-SMA Connector / 3408-0039	From DC to 18 GHz / 50 Ω / 1.15 max

- Each shielding effectiveness is measured when each I/O interface panel, which is shown above, is mounted.
- Above data was measured by Tescom, The Shielding Effectiveness might be different based on the measuring method and condition.
- This data has been measured under the condition that the cables are not connected to each filters. When the cables are connected it can affect the shielding performance.

SPECIFICATIONS SUBJECT TO CHANGE WITHOUT PRIOR NOTICE