



# TC-5921AE Magnetic Shield Box



## Features

- High RF shielding
- Easy Opening/Closing of lid
- EMI filter on all Data and DC lines
- Easily customizable to meet various test needs
- Shock Absorber on lid
- High performance absorber for radiation testing

\*SPECIFICATIONS SUBJECT TO CHANGE WITHOUT PRIOR NOTICE



## Specifications

### Mechanical Specifications

<b>RF Connectors without module</b>	two(2) N (f) outside and SMA (f) inside
<b>Line voltage</b>	DC 24 V, Max 2 A
<b>Dimension</b>	
Inside	222(W) x 388(D) x 205(H) mm
Outside	296(W) x 520(D) x 271(H) mm, lid closed. 619(H) mm, Angle 47° lid open.
<b>Weight</b>	approx. 17 kg
<b>*Packing</b>	
Size	385(W) x 700(D) x 410(H) mm
Weight	approx. 18 kg

\* The size or weight of a package may vary on how to pack a package.

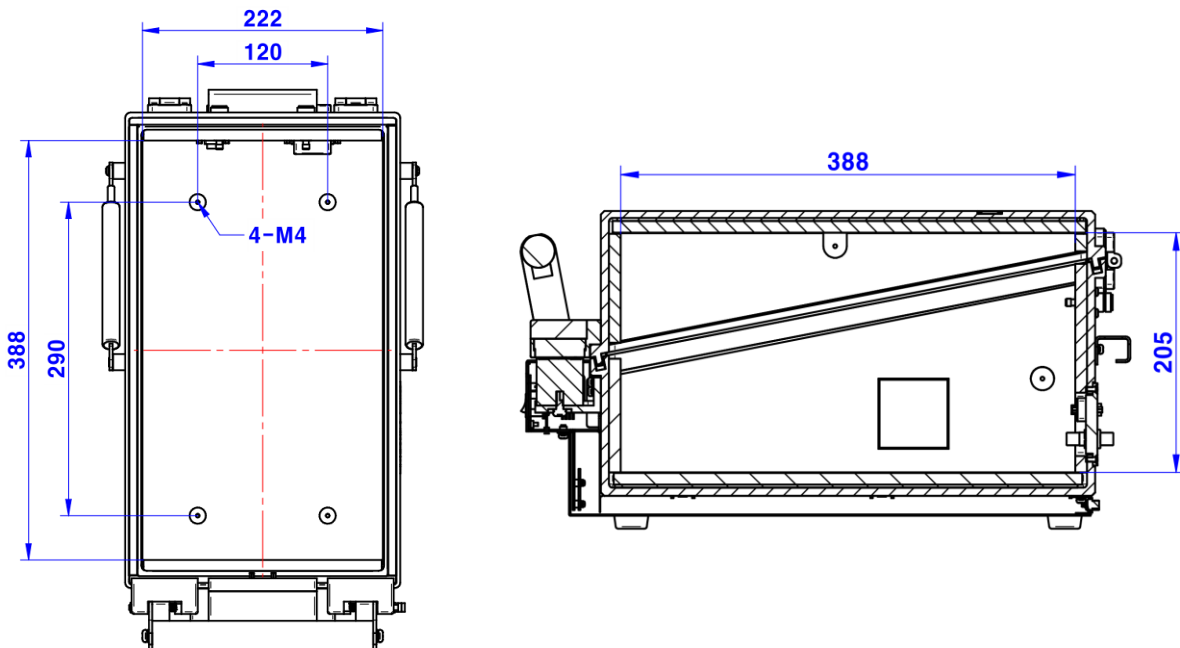
### Typical RF Shielding

The shield effectiveness below is measured when the blank panel is mounted; other I/O interface panel results a different shielding effectiveness of the shield box.

Frequency	Shielding effectiveness (dB)
100 to 2000 MHz	> 70 dB
2000 to 3000 MHz	> 70 dB
3000 to 6000 MHz	> 60 dB

## Dimensions

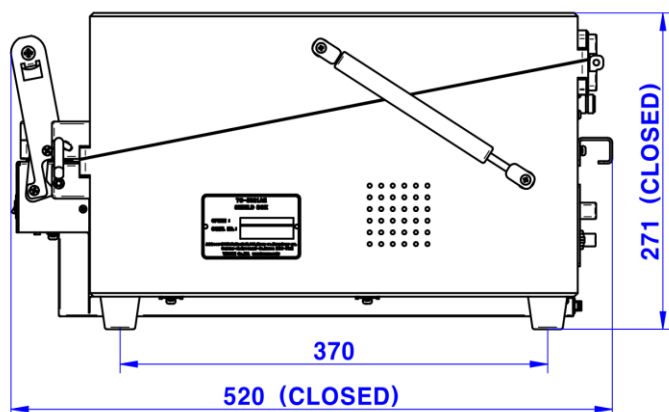
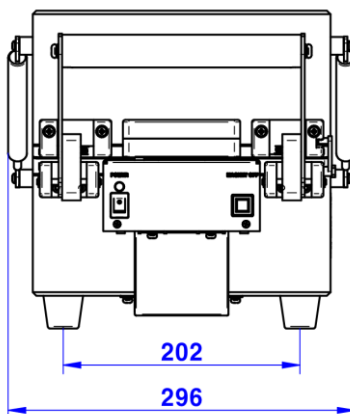
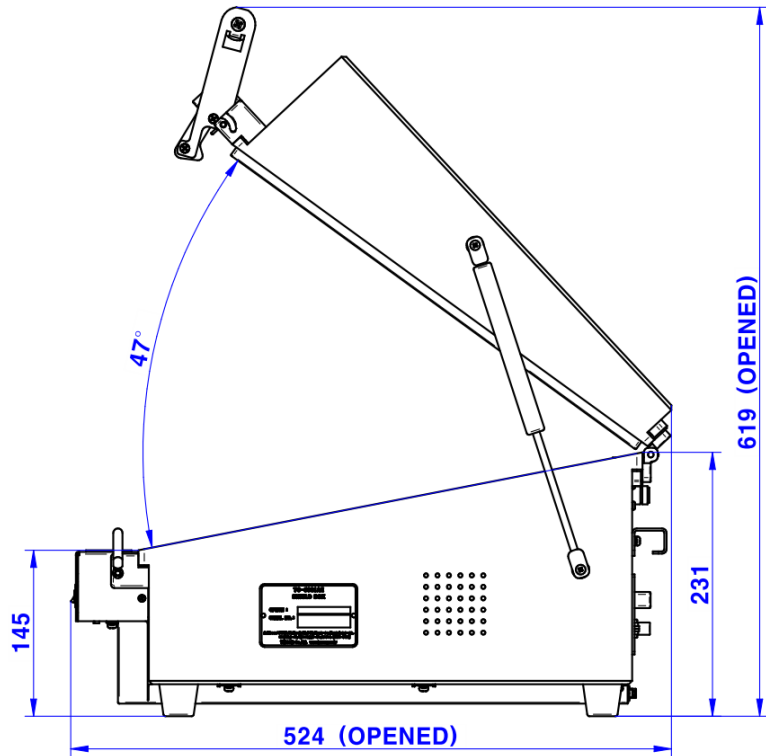
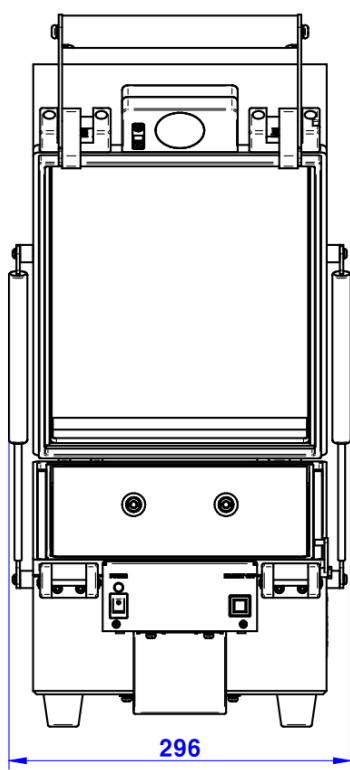
- TC-5921AE Inner Dimension (WxDxH) : 222(W) x 388(D) x 205(H) mm



\*SPECIFICATIONS SUBJECT TO CHANGE WITHOUT PRIOR NOTICE



- TC-5921AE Outer Dimension (WxDxH) : 296(W) x 520(D) x 271(H) mm, lid closed.  
619(H) mm, lid open.



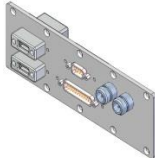
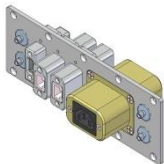

\*SPECIFICATIONS SUBJECT TO CHANGE WITHOUT PRIOR NOTICE



## Ordering Information



Order Number	Description
	<b>Shield Box (including accessories below)</b>
TC-5921AE	Test Report RF Cable (4011-0001), SS-402, N(m) to N(m) 1 m, 1 pc DB9(p) to DB9(s) 2 m, 1 pc Switching Power Supply, 1 pc

## Pre-Configured I/O Interface Panel

I/O Interface Panel	Order Number	Configuration
 <b>Data Interface Panel</b>	M591689A	<ul style="list-style-type: none"> <li>two(2) N(f) outside and SMA(f) inside</li> <li>one(1) DB25(p) outside and DB25(s) inside, 100 pF Pi filter</li> <li>one(1) DB9(p) outside and DB9(s) inside, 100 pF Pi filter</li> <li>two(2) USB 2.0 outside and inside</li> </ul>
 <b>Data Interface Panel</b>	M5916103A	<ul style="list-style-type: none"> <li>four(4) SMA(f) outside and SMA(f) inside</li> <li>one(1) USB 2.0 outside and inside</li> <li>two(2) RJ-45 outside and inside</li> <li>one(1) AC power Adapter</li> </ul>
 <b>Data Interface Panel</b>	M5916114A	<ul style="list-style-type: none"> <li>six(6) SMA(f) outside and SMA(f) inside</li> <li>one(1) DB37(p) outside and DB37(s) inside, 1000 pF Pi filter</li> <li>two(2) USB 3.0 outside and inside</li> </ul>

## Custom I/O Interface Panel

- Customized I/O Interface Panel is available by selecting below I/O interfaces and combine. Please contact Tescom sales team or your local distributor.



I/O Interface	Description / Order Number	Typical Data Rate / Line Voltage	*Typical Shielding
	DB25, 1000pF pi Filter / 3409-0009-1	3 Mbps / 100 VDC, 5 Amps max	>70 dB from 0.5 to 2 GHz >80 dB from 2 to 3 GHz >70 dB from 3 to 6 GHz
	DB25, 100pF pi Filter / 3409-0014-1	10 Mbps / 100 VDC, 5 Amps max	>50 dB from 0.5 to 2 GHz >60 dB from 2 to 3 GHz >60 dB from 3 to 6 GHz

\*SPECIFICATIONS SUBJECT TO CHANGE WITHOUT PRIOR NOTICE



	DB9, 1000pF pi Filter / 3409-0008-1	3 Mbps / 100 VDC, 5 Amps max	>70 dB from 0.5 to 2 GHz >80 dB from 2 to 3 GHz >70 dB from 3 to 6 GHz
	DB9, 100pF pi Filter / 3409-0010-1	10 Mbps / 100 VDC, 5 Amps max	>50 dB from 0.5 to 2 GHz >60 dB from 2 to 3 GHz >60 dB from 3 to 6 GHz
	USB 2.0 Filter / 3409-0018A-3	480 Mbps / 5 V, 500 mA / Max Current: 5 A	>60 dB from 0.5 to 2 GHz >70 dB from 2 to 3 GHz >70 dB from 3 to 6 GHz
	USB 3.0 Filter(Active) / 3409-0042A-1	5000 Mbps/ 5 V, 900 mA / Max Current: 1.5 A	>70 dB from 0.5 to 2 GHz >70 dB from 2 to 3 GHz >55 dB from 3 to 6 GHz
	RJ-45 Filter / 3409-0022A	1 Gbit/s Copper-Line Ethernet (1000 BASE-T)	>60 dB from 0.5 to 2 GHz >70 dB from 2 to 3 GHz >70 dB from 3 to 6 GHz
	DC Power Adaptor / 3406-0004A	50 VDC, 3 Amps max	>70 dB from 0.5 to 2 GHz >80 dB from 2 to 3 GHz >80 dB from 3 to 6 GHz
	DC Power Adaptor (Banana Jack Type) / 3406-0005A, 3406-0006A	50 VDC, 10 Amps max	>70 dB from 0.5 to 2 GHz >80 dB from 2 to 3 GHz >80 dB from 3 to 6 GHz
	AC Power Adaptor / 3103-0009A	250 VAC, 7 Amps max	>70 dB from 0.5 to 2 GHz >80 dB from 2 to 3 GHz >80 dB from 3 to 6 GHz

I/O Interface	Description / Order Number	Frequency Range / Impedance / V.S.W.R
---------------	----------------------------	---------------------------------------

	RF, N-SMA Connector / 3408-0038	From DC to 11 GHz / 50 Ω / 1.15 max
	RF, SMA-SMA Connector / 3408-0039	From DC to 18 GHz / 50 Ω / 1.15 max

- Each shielding effectiveness is measured when each I/O interface panel, which is shown above, is mounted.
- Above data was measured by Tescom, The Shielding Effectiveness might be different based on the measuring method and condition.
- This data has been measured under the condition that the cables are not connected to each filters. When the cables are connected it can affect the shielding performance.

SPECIFICATIONS SUBJECT TO CHANGE WITHOUT PRIOR NOTICE