



Concentric Technology Solutions Inc

Testing Solutions for the Wireless Industry

TC-5930A/AR Shield Box



Features

- High RF Shielding
- Easy Opening/Closing of lid
- EMI filters on all Data and DC lines
- Customizable Data connections
- 19" Rack Mount Set (TC-5930AR) : TC-5930A 2EA, 19" Rack Mounting Bracket

*SPECIFICATIONS SUBJECT TO CHANGE WITHOUT PRIOR NOTICE

Concentric Technology Solutions, Inc.

TEL: 817-503-8862 FAX: 817-503-8866 Email: CTS-Sales@ctscorp-usa.com www.rfshieldbox.com www.ctscorp-usa.com



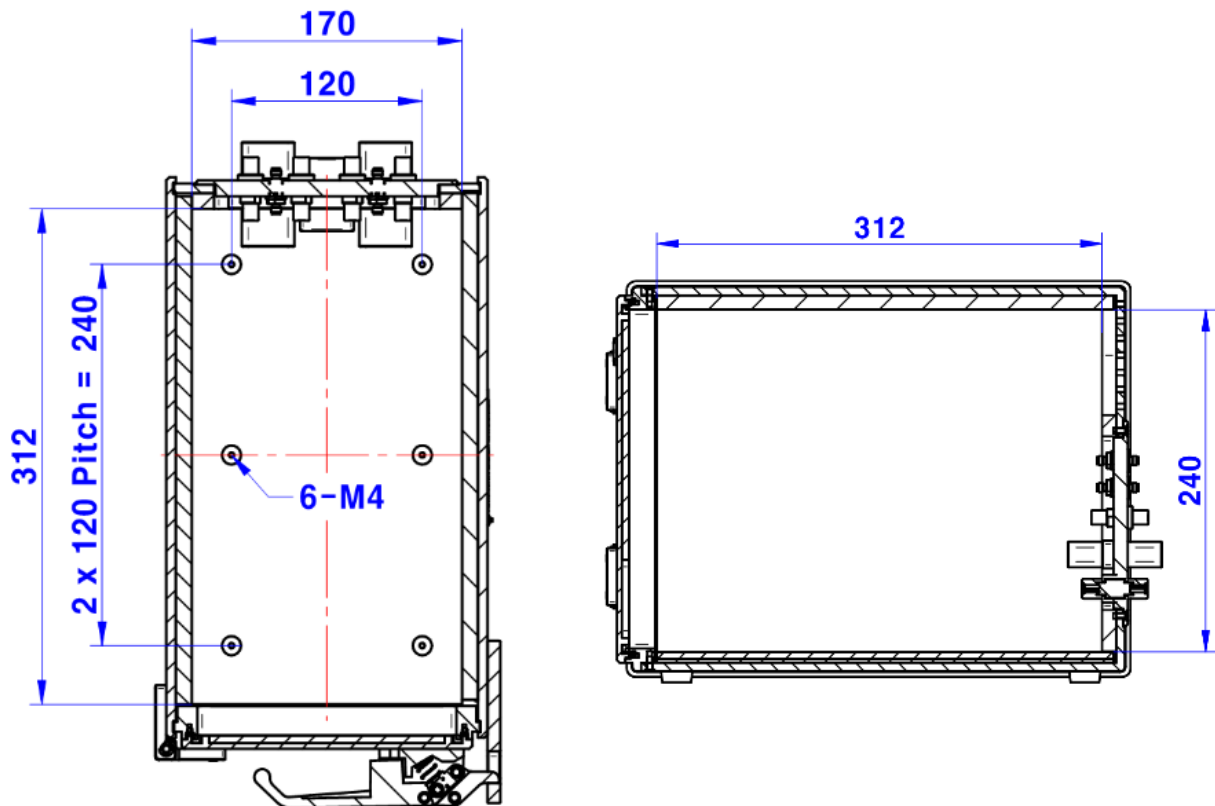
Specifications

Mechanical Specifications

Dimension	
Inside	170(W) x 312(D) x 240(H) mm
Outside	217(W) x 398(D) x 282(H) mm
Door	163(W) x 238(H) mm
Weight	
	approx. 8.5 kg
*Packing	
Size	360(W) x 515(D) x 397(H) mm
Weight	approx. 11 kg
*The size or weight of a package may vary on how to pack a package.	

Dimensions

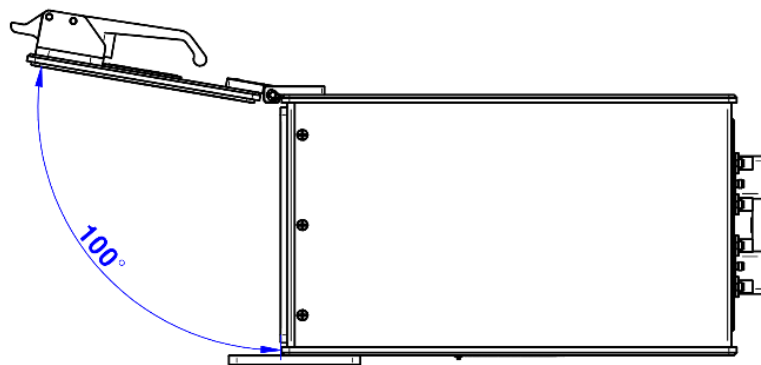
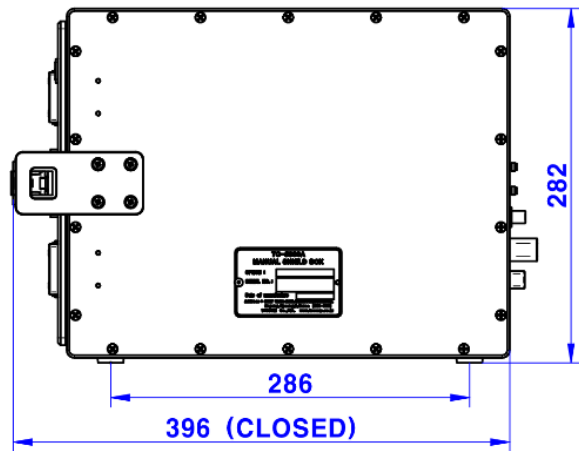
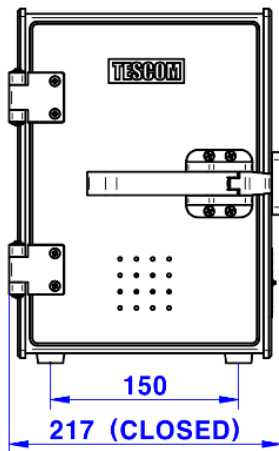
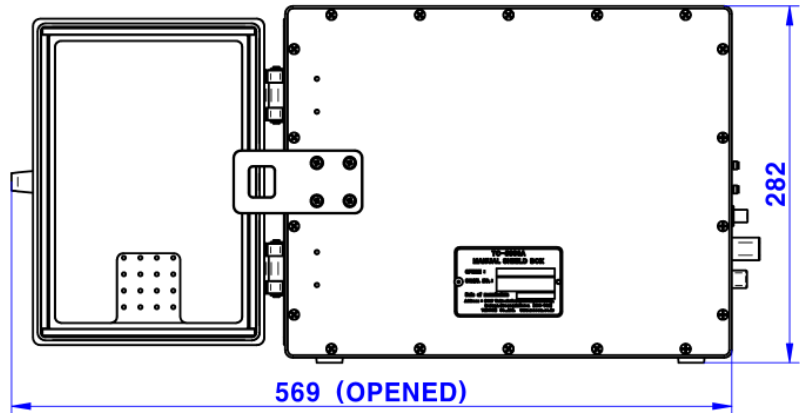
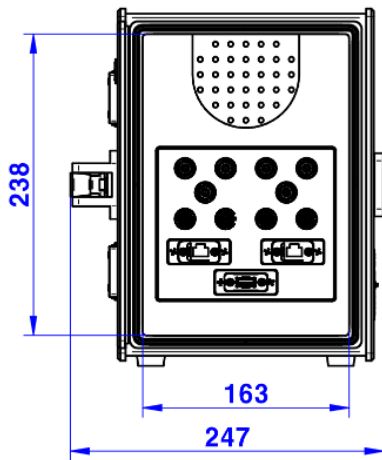
TC-5930A Inner Dimension



*SPECIFICATIONS SUBJECT TO CHANGE WITHOUT PRIOR NOTICE



TC-5930A Outer Dimension



*SPECIFICATIONS SUBJECT TO CHANGE WITHOUT PRIOR NOTICE



Typical RF Shielding

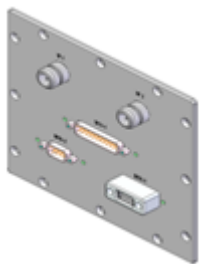
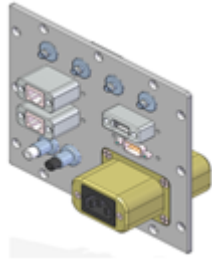
- The shielding effectiveness below is measured when the blank panel is mounted; other I/O interface panel results a different shielding effectiveness of the shield box.

Frequency	Shielding effectiveness (dB)
100 to 2000 MHz	> 80 dB
2000 to 3000 MHz	> 70 dB
3000 to 6000 MHz	> 60 dB

Ordering Information


Order Number	Description
TC-5930A	Shield Box (including accessories bellow) Test Report RF Cable, SS-402, N(m) to N(m) 1 m, 1 pc
TC-5930AR	Shield Box (TC-5930A 2 EA, 19" Rack Mount Bracket, including accessories bellow) Test Report RF Cable, SS-402, N(m) to N(m) 1 m, 2 pc

Pre-Configured I/O Interface Panel

I/O Interface Panel	Order Number	Configuration
 Data Interface Panel	M5930A01A	<ul style="list-style-type: none"> one(1) DB25(p) outside and DB25(s) inside, 1000 pF Pi filter one(1) DB9(p) outside and DB9(s) inside, 1000 pF Pi filter two(2) N(f) outside and SMA(f) inside one(1) USB 2.0 outside and inside
 Data Interface Panel	M5930A04A	<ul style="list-style-type: none"> one(1) DB9(p) outside and DB9(s) inside, 1000 pF Pi filter four(4) SMA(f) outside and SMA(f) inside one(1) USB 2.0 outside and inside one(1) Banana Jack type DC power adapter two(2) RJ-45 outside and inside one(1) AC power Adapter

*SPECIFICATIONS SUBJECT TO CHANGE WITHOUT PRIOR NOTICE



I/O Interface Panel	Order Number	Configuration
 Cooling Fan	C5930A-2032A	<ul style="list-style-type: none">• one(1) DC Fan, DC 24 V (exhaust)

- Cooling Fan assembly position (e.g. TC-5930AR)



< TC-5930AR Rear >

*SPECIFICATIONS SUBJECT TO CHANGE WITHOUT PRIOR NOTICE





**Custom I/O Interface Panel**

- Customized I/O Interface panels are available. Please contact Tescom sales team or your local distributor.

I/O Interface	Order Number	Typical Data Rate / Line Voltage	*Typical Shielding
 DB37, 1000pF pi Filter	3409-0012-1	3 Mbps / 100 VDC, 5 Amps max	>70 dB from 0.5 to 2 GHz >80 dB from 2 to 3 GHz >70 dB from 3 to 6 GHz
 DB25, 1000pF pi Filter	3409-0009-1	3 Mbps / 100 VDC, 5 Amps max	>70 dB from 0.5 to 2 GHz >80 dB from 2 to 3 GHz >70 dB from 3 to 6 GHz
 DB25, 100pF pi Filter	3409-0014-1	10 Mbps / 100 VDC, 5 Amps max	>50 dB from 0.5 to 2 GHz >60 dB from 2 to 3 GHz >60 dB from 3 to 6 GHz
 DB9, 1000pF pi Filter	3409-0008-1	3 Mbps / 100 VDC, 5 Amps max	>70 dB from 0.5 to 2 GHz >80 dB from 2 to 3 GHz >70 dB from 3 to 6 GHz
 DB9, 100pF pi Filter	3409-0010-1	10 Mbps / 100 VDC, 5 Amps max	>50 dB from 0.5 to 2 GHz >60 dB from 2 to 3 GHz >60 dB from 3 to 6 GHz
 USB 2.0 Filter	3409-0018A-3	480 Mbps / 5 V, 500 mA / Max Current: 5A	>60 dB from 0.5 to 2 GHz >70 dB from 2 to 3 GHz >70 dB from 3 to 6 GHz
 USB 3.0 Filter(Active)	3409-0042A-1	5000 Mbps / 5 V, 900 mA / Max Current: 1.5 A	>70 dB from 0.5 to 2 GHz >70 dB from 2 to 3 GHz >55 dB from 3 to 6 GHz
 RJ-45 Filter	3409-0022A	1 Gbit/s Copper-Line Ethernet (1000 BASE-T)	>60 dB from 0.5 to 2 GHz >70 dB from 2 to 3 GHz >70 dB from 3 to 6 GHz
 DC Power Adaptor,	3406-0004A	50 VDC, 3 Amps max	>70 dB from 0.5 to 2 GHz >80 dB from 2 to 3 GHz >80 dB from 3 to 6 GHz

*SPECIFICATIONS SUBJECT TO CHANGE WITHOUT PRIOR NOTICE



I/O Interface	Order Number	Typical Data Rate / Line Voltage	*Typical Shielding
 DC Power Adaptor, Banana Jack Type	3406-0005A 3406-0006A	50 VDC, 10 Amps max	>70 dB from 0.5 to 2 GHz >80 dB from 2 to 3 GHz >80 dB from 3 to 6 GHz
 AC Power Adaptor	3103-0009A	250 VAC, 7 Amps max	>70 dB from 0.5 to 2 GHz >80 dB from 2 to 3 GHz >80 dB from 3 to 6 GHz
 RF, N-SMA Connector	3408-0038		>60 dB from 0.5 to 2 GHz >70 dB from 2 to 3 GHz >70 dB from 3 to 6 GHz
 RF, SMA-SMA Connector	3408-0039		>60 dB from 0.5 to 2 GHz >70 dB from 2 to 3 GHz >70 dB from 3 to 6 GHz

- Each shielding effectiveness is measured when each I/O interface panel, which is shown above, is mounted.
- Above data was measured by Tescom, The Shielding Effectiveness might be different based on the measuring method and condition.
- This data has been measured under the condition that the cables are not connected to each filters. When the cables are connected it can affect the shielding performance.

*SPECIFICATIONS SUBJECT TO CHANGE WITHOUT PRIOR NOTICE