



AR1214-05



Key Features

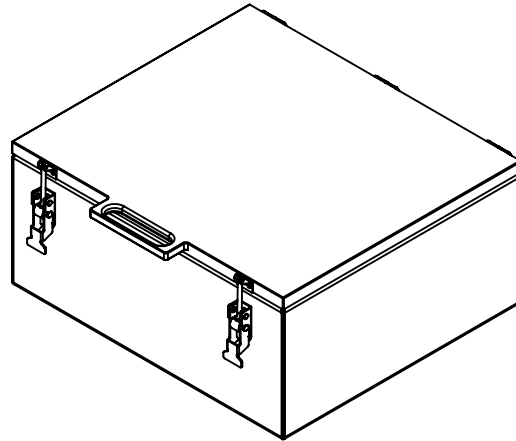
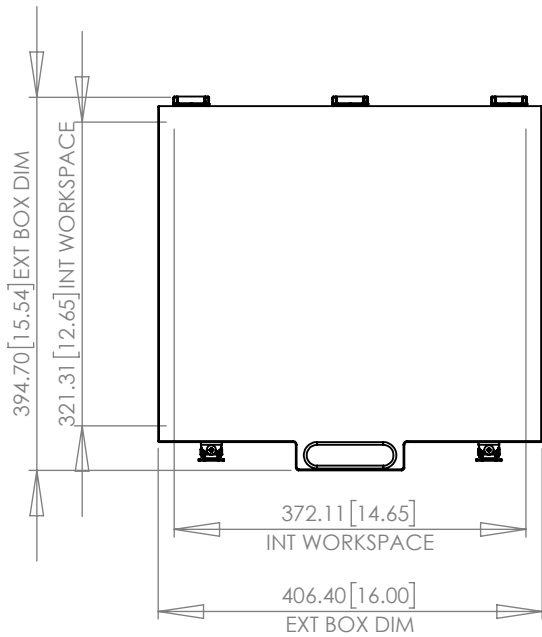
- Top Access Opening
- 2 Configurable IO panels
- Constant Position Hinges
- Manufactured Easy Open Handle
- Compact size for bench test
- High RF Shielding

Mechanical Specifications

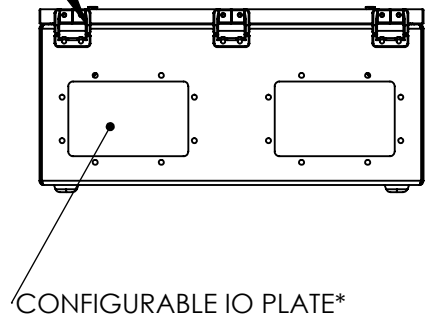
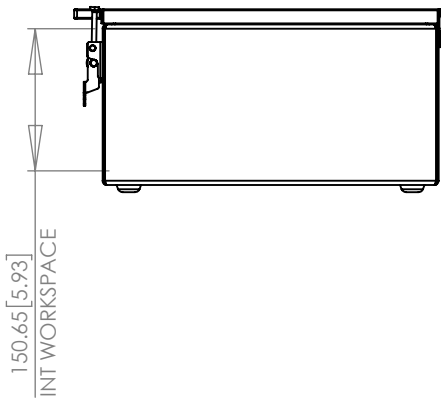
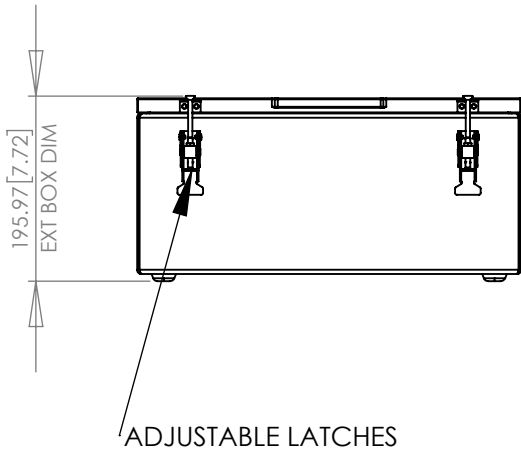
Dimensions	Width	Depth	Height
Internal Dimensions	372.mm(14.65in)	321mm(12.65in)	150mm(5.93in)
External Dimensions	406mm(16in)	395mm(15.54in)	196mm (7.72in)
Weight		Approx 5Kg	

Typical RF Shielding

Range	Isolation
100 to 2000 MHz	> 70 dB
2000 to 3000 MHz	> 70 dB
3000 to 6000 MHz	> 60 dB



CONSTANT POSITION HINGE



*See list of available options

Fixtures, Fans, as well as custom connectors and options available through your sales representative

mm(in) unless otherwise specified

Drawing not to scale

doc v1.1

AR1214-05