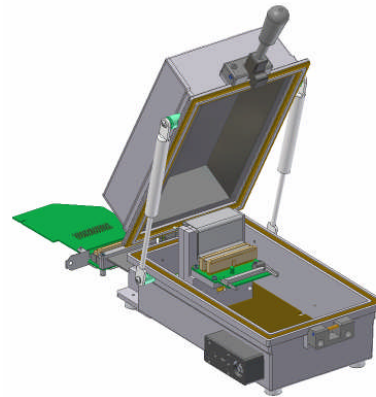




### TC-5912D W-LAN Shield Box (fitted with USB2.0 side port)

#### Application

TC-5912D Shield Box is a compact manual RF test fixture that provides RF isolation and reliable signal connections necessary for testing CardBus, Mini PCI and USB device of Notebook PC in a test system. With the extensive list of standard accessories, TC-5912D offers an excellent value for the test needs of production line, R&D, service and QC.



#### Features

- High RF shielding, typically >50dB at 5.8GHz
- 2 RF N-Connectors, 100pin Data I/O, USB 2.0 port, and DC Power Jack
- IEEE 802.11a,b,g.
- Manual operation
- Shock Absorber on lid
- ※ The difference between TC-5912D and TC-5912C

TC-5912D	TC-5912C
Connected to Desktop PCI slot	Connected to Notebook PC
Built-in Bridge for PCI to CardBus/miniPCI interface	Using Notebook PC CardBus port
Built-in Hot Swap Capability for DUT device	Using Notebook PC CardBus Capability

#### Specification

- Shielding Effectiveness : >55dB at 2.4GHz, >50dB at 5.8GHz
- Outer Dimension : 205(W) x 418(D) x 152.5(H) mm
- Inner Dimension : 120(W) x 225(D) x 115(H) mm
- Weight : 5.2 kg
- Accessories Supplied :

- 3806-0001, CardBus Controller SoftWare Driver (1x 3.5" diskette), 1pc.
- 4008-0017, USB A(p) to USB A(p) cable, 1m, 1pc.
- 4008-0018, USB A(p) to USB A(s) cable, 50cm, 1pc.
- 4011-0004, N(m) to SMA(m) cable, 1m, 2pcs.
- 4104-0013, DC power plug to Dual Banana Plug cable, 1.5m, 1pc.
- 4104-0014, 2pin to DC Power Plug cable, 30cm, 1pc
- E99110D, 100pin to CardBus adaptor, 1pc.
- E99117E, 100pin to Mini PCI adaptor, 1pc.
- E99120A, PCI to 100pin adaptor, for right side motherboard, 1pc.



# Concentric Technology Solutions Inc

Testing Solutions for the Wireless Industry

TC-5912D W-LAN Shield Box Data Sheet

E99120B, PCI to 100pin adaptor, for left side motherboard, 1pc.

## Electrical I/O

### User Data I/O Connectors

- 100-pin, Shielded Flat Cable, 10pF Pi filter, for CardBus or Mini PCI
- USB A(s) outside and inside, up to USB 2.0 full speed

### RF Connectors

- 2 N(f) outside and SMA(f) inside

### Power Connectors

- DC Power Jack outside and inside, 100VDC, 3Amps max.

## Picture of Accessories



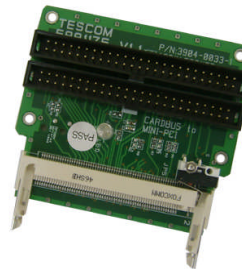
E99120A, PCI to 100pin adaptor,  
for the right side motherboard.



E99120B, PCI to 100pin adaptor,  
for the left side motherboard.



E99110D, 100pin to CardBus adaptor.



E99117E, 100pin to Mini PCI adaptor

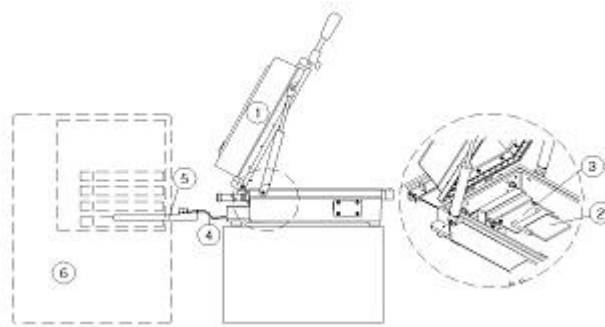


# Concentric Technology Solutions Inc

Testing Solutions for the Wireless Industry

*TC-5912D W-LAN Shield Box Data Sheet*

## Typical Connection Diagram



- ① TC-5912D
- ② CardBus DUT or Mini PCI DUT.
- ③ E99110D CardBus Adaptor or E99117E Mini PCI adaptor
- ④ Shielded Data Cable 20cm
- ⑤ E99120B PCI to 100pin adaptor, for the left side motherboard
- ⑥ Desktop PC, tower case, with the motherboard mounted on the left wall

Korean Design Patent #336289  
Taiwan Patent Pending #92131882

SPECIFICATIONS SUBJECT TO CHANGE WITHOUT PRIOR NOTICE

Concentric Technology Solutions, Inc.  
TEL: 817-503-8862 FAX: 817-503-8866 Email: [Sales@ctscorp-usa.com](mailto:Sales@ctscorp-usa.com) Website: [www.ctscorp-usa.com](http://www.ctscorp-usa.com)

R40211