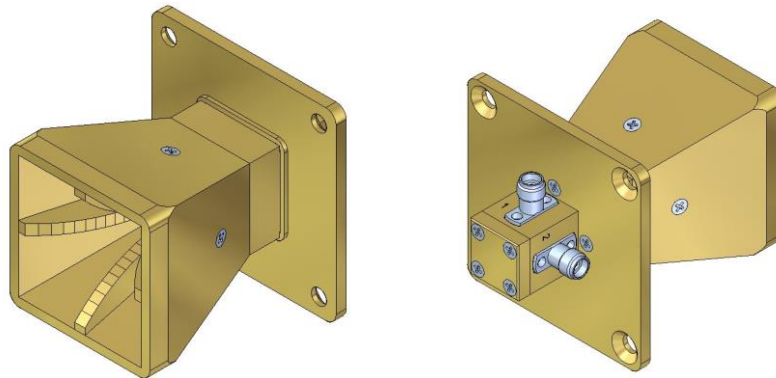




TC-93470A Quad Ridged Horn Antenna



Features

- 18 GHz ~ 40 GHz Frequency Range
- K-Type 2.92 mm Female RF Interface

Specifications

Configurations

Antenna Type	QRH (Quad ridged Horn)
Frequency Range	18 GHz to 40 GHz
RF Connector	
Connector type	2.92 mm (K-Type) Female
Body Material and Plating	Stainless Steel

Electrical Specifications

Frequency Range	18 GHz to 40 GHz
Normal Gain, dBi	14.5 dBi @ 28 GHz
VSWR	< 2
Impedance	50 Ω
Cross Port Isolation	< -20 dB

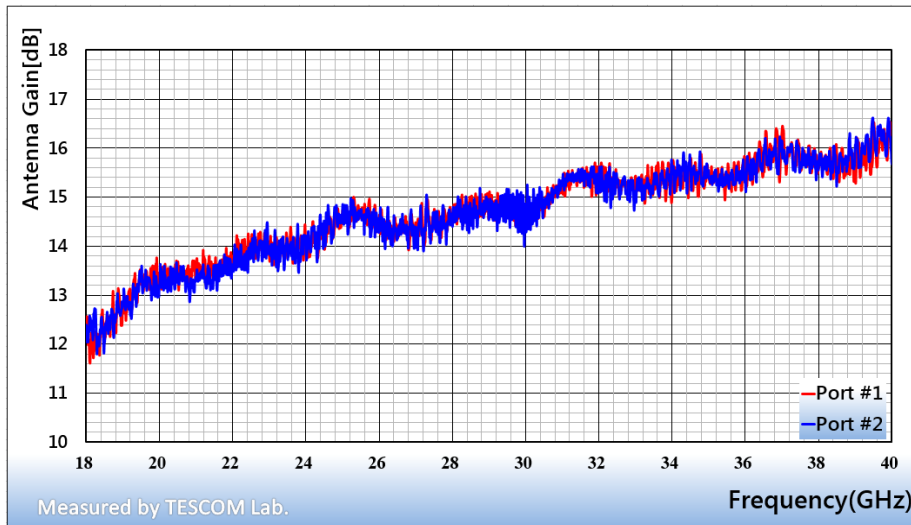
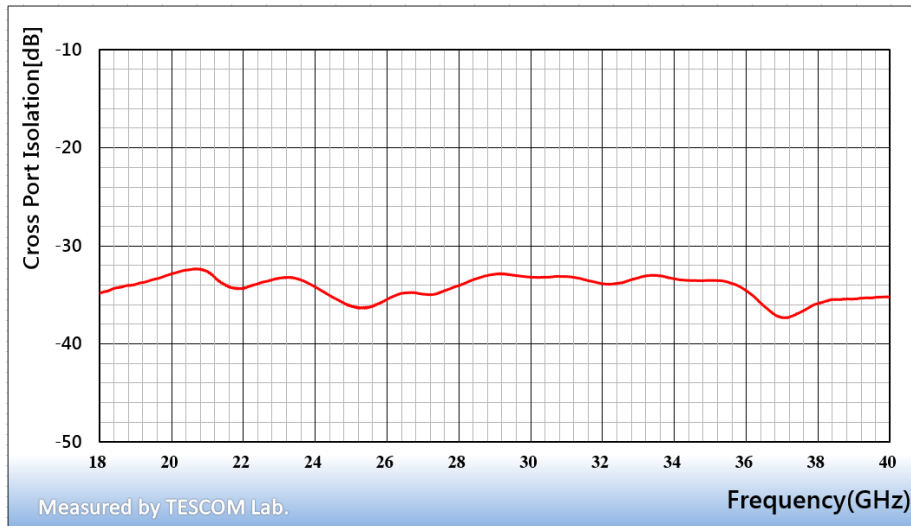
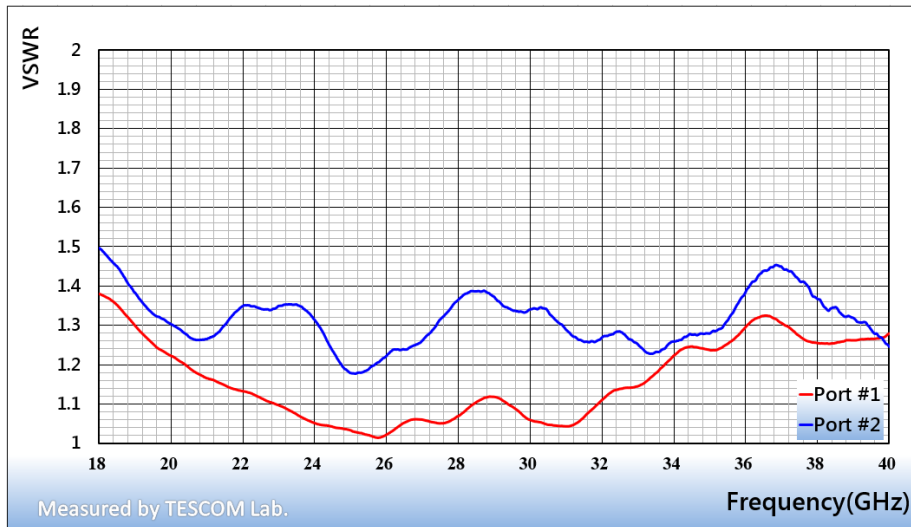
Mechanical Specifications

Size (mm)	
Length x Width x Height	70 x 54 x 54 mm
Weight	approx. 313 g

*SPECIFICATIONS SUBJECT TO CHANGE WITHOUT PRIOR NOTICE



Typical Performance Data



*SPECIFICATIONS SUBJECT TO CHANGE WITHOUT PRIOR NOTICE



Ordering Information

Order Number	Description
TC-93470A01	Quad Ridged Horn Antenna - Cable Not Included

*SPECIFICATIONS SUBJECT TO CHANGE WITHOUT PRIOR NOTICE