



TC-5912C W-LAN Shield Box (fitted with USB 2.0 side port)

Application

TC-5912C Shield Box is a compact manual RF test fixture that provides RF isolation and reliable signal connections necessary for testing CardBus, Mini PCI and USB device of Notebook PC in a test system. With the extensive list of standard accessories, TC-5912C offers an excellent value for the test needs of production line, R&D, service and QC.



Key Features

- High RF shielding, typically >50dB at 5.8GHz
- 2 RF N-connectors, 100pin Data I/O and USB 2.0 ports
- IEEE 802.11a,b,g.
- Manual operation
- Shock Absorber on lid

※ The difference between TC-5912C and TC-5912D

TC-5912C	TC-5912D
Connected to Notebook PC	Connected to Desktop PCI slot
Using Notebook PC CardBus port	Built-in Bridge for PCI to CardBus/MiniPCI interface
Using Notebook PC Hot Swap Capability	Built-in Hot Swap Capability for DUT device

Specification

Shielding Effectiveness : >50dB at 2.4GHz, >50dB at 5.8GHz

Outer Dimension : 205(W) x 418(D) x 152.5(H) mm

Inner Dimension : 120(W) x 225(D) x 115(H) mm

Weight : 5 kg

Accessories Supplied :

- 4008-0017, USB A(p) to USB A(p) cable, 1m, 1pc.
- 4008-0018, USB A(p) to USB A(s) cable, 50cm, 1pc.
- 4011-0004, N(m) to SMA(m) cable, 1m, 2pcs.
- 4104-0013, DC power plug to Dual Banana Plug cable, 1.5m, 1pc.
- 4104-0014, 2pin to DC Power Plug cable, 30cm, 1pc.
- E99110C, 100pin to CardBus adaptor, 1pc.



Concentric Technology Solutions Inc

Testing Solutions for the Wireless Industry

TC-5912D W-LAN Shield Box Data Sheet

E99115C, 100pin Card Bus Extender, 1pc.
E99117F, 100pin to mini PCI adaptor, 1pc.

Electrical I/O

User Data I/O Connectors

- 100-pin, Shielded Flat Cable, 10pF Pi filter, for CardBus or Mini PCI
- USB A(s) outside and inside, up to USB2.0 full speed

RF Connectors

- 2 N(f) outside and SMA(f) inside

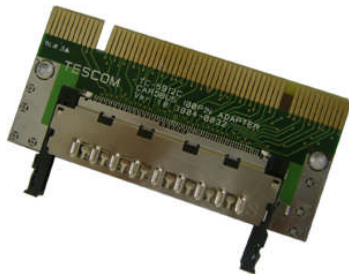
Power Connectors

- DC Power Jack outside and DC Power Jack, 100VDC, 3Amps max.

Picture of Accessories



E99115C, 100pin CardBus Extender



E99110C, 100pin to CardBus adaptor.



E99117F, 100pin to Mini PCI adaptor

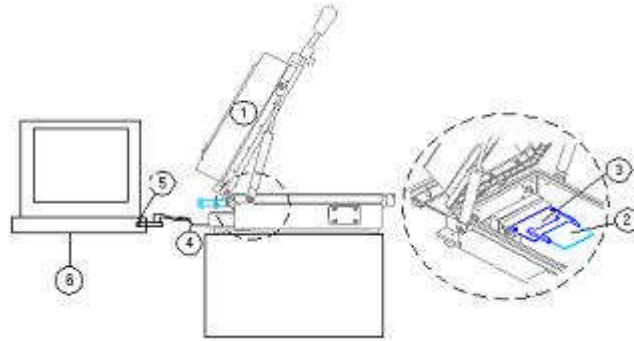


Concentric Technology Solutions Inc

Testing Solutions for the Wireless Industry

TC-5912D W-LAN Shield Box Data Sheet

Typical Connection Diagram



For Card Bus DUT

- ① TC-5912C
- ② CardBus DUT.
- ③ E99110C CardBus adaptor
- ④ Shielded Data Cable 20cm
- ⑤ E99115C 100pin Card Bus Extender
- ⑥ Notebook PC.

For Mini PCI DUT

- ① TC-5912C
- ② Mini PCI DUT.
- ③ E99117F Mini PCI adaptor
- ④ Shielded Data Cable 20cm
- ⑤ E99115C100pin Card Bus Extender
- ⑥ Notebook PC.

Korean Design Patent #336289
Taiwan Patent Pending #92131882

SPECIFICATIONS SUBJECT TO CHANGE WITHOUT PRIOR NOTICE